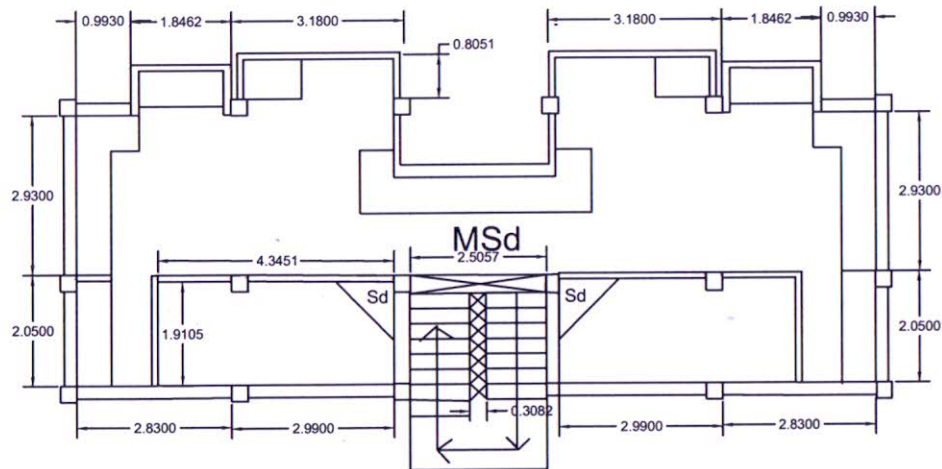


Existing plan of biotechnolgy laboratory

All dimensions are in metres.
 D = (.960*2.150) mtrs
 D1 = (.860*2.150) mtrs
 D2 = (.720*2.150) mtrs
 Wd = Wardrobe (.627*0.816) mtrs





Modified plan for Biotechnology lab



All dimensions are in metres.

D = (.960*2.150) mtrs

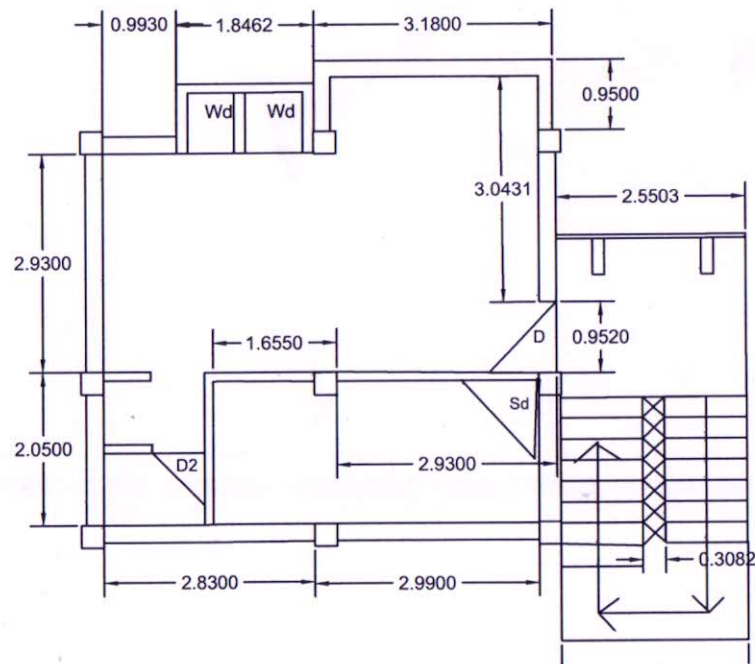
D1= (.860*2.150) mtrs

D2= (.720*2.150) mtrs

Wd= Wardrobe (.627*0.816) mtrs

MSd= Main sliding door (2.5*2.150) mtrs

Sd= Sliding door (1.080*2.150) mtrs



All dimensions are in metres.

Sd= Sliding Door (1.050*2.150) mtrs

D = (.960*2.150) mtrs

D2= (.720*2.150) mtrs



Modified Plan of Chemistry department