



NATIONAL INSTITUTE OF TECHNOLOGY SIKKIM

Ravangla Campus

Barfung Block, Ravangla Sub Division, South Sikkim-737139

Tender No:25/NITS/SWA/Water Purifier/17-18/___

Date: December 01, 2017

Sub: Notice Inviting tender for supply of Water purifier and stainless steel water storage tank at NIT Sikkim, Ravangla Campus, South Sikkim from reputed and registered stainless steel product / water purifier manufacturer / Dealer

Sl No	Details	
1	Tender Floating Date	December 01, 2017
2	Tender receive Closing Date	December 21, 2017 (05:00 pm)
3	Tender Opening Date	To be notified to bidders after closing of tender by email.
4	Tender and EMD Fees type	Demand Drafts in favour of "The Director, NIT SIKKIM" payable at State Bank of India, Ravangla Branch (IFSC SBIN0007218)
5	Tender Fees	Nil
6	EMD for SS water storage tank (non-interest bearing)	₹ 10,000/-
7	EMD for Water purifier (non-interest bearing)	₹ 20000/-
8	EMD for both (non-interest bearing)	₹ 30,000/-
8	Tender document to be send to	Dean In Charge (Student Affairs) National Institute of Technology Sikkim Barfung Block, Ravangla Sub-division South Sikkim, Sikkim PIN 737 139, INDIA
9	For any Clarification	<i>e-mail:- fisa.nitsikkim@gmail.com</i>

Authorized stainless steel product / water purifier dealers/manufacturers are invited to submit their bids on the basis of the following details.

Technical & financial bids must be submitted in separate sealed envelope. **Bidder must send Eligibility criteria supporting documents with the Technical Bid and Financial bid in separate two sealed envelope and both envelope put in another sealed envelope.** Other terms & Conditions, eligibility criteria remain as below. All ss water storage tank/ water purifier will be used in NIT Sikkim for educational purpose only. It is mandatory to write email ID of bidder on the envelope for any communication.

Please note that for any query you please write through email to given email ID. Any kind of phone call or personal visit will not be entertained. If any kind of such activities are observed their tender will be terminated without assigning any reason.

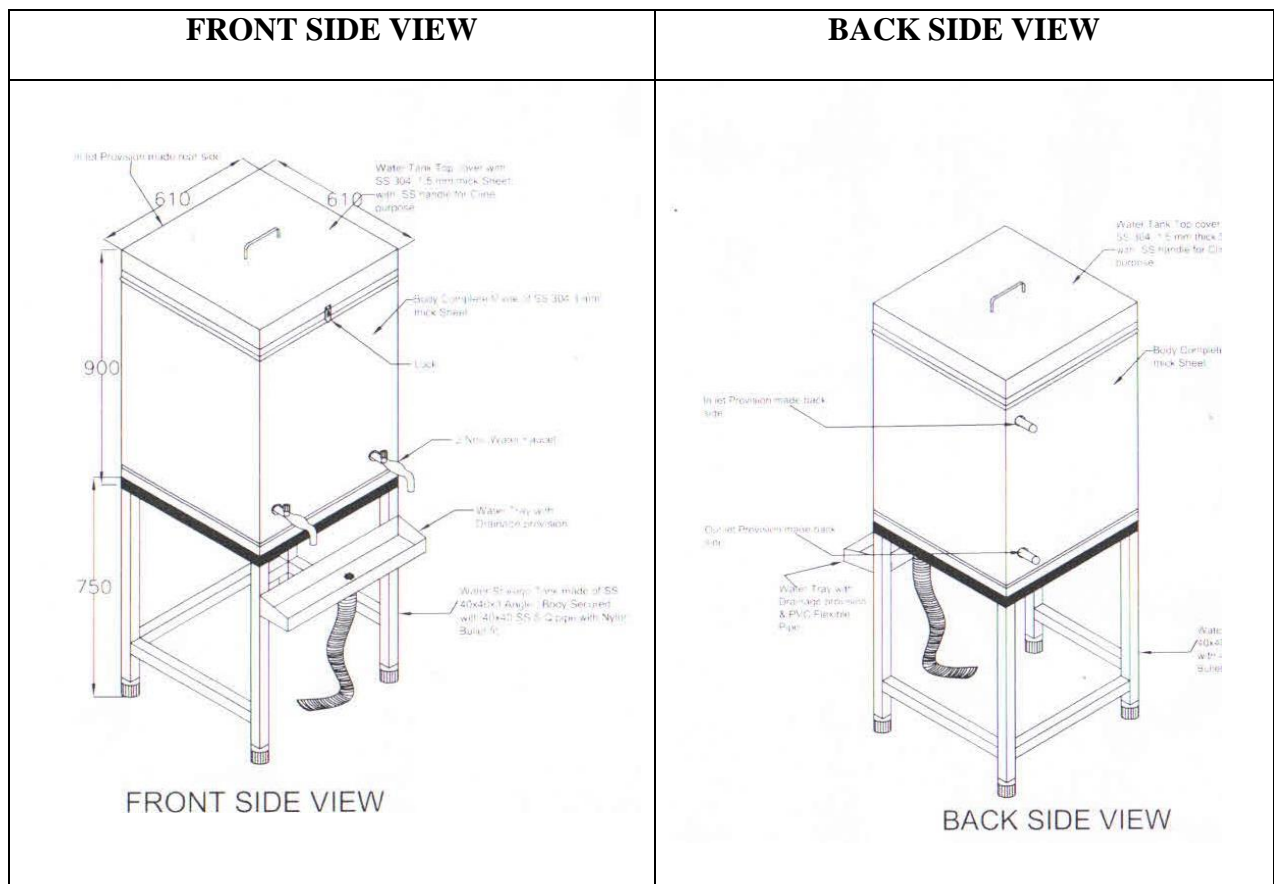


The detail technical specifications of stainless steel water storage tank (07 piece) and water purifier (32 piece) for NIT Sikkim campus:

Technical Specification for stainless steel water storage tank (07 piece)

Sl. No	Part of SS water storage tank	Specification
1.	Volume of water storage tank	610(L)×610(W) ×900 (H) in mm
2.	Height of water tank stand	750 mm
3.	Stand pipe specification	4040 SS Q pipe with nylon shoe
4.	Water tank SS body	SS 304 grade, 3.0 mm
5.	Storage tank cover with lock and key	SS304, 1.5 mm
6.	Water Faucet	Two pc and faucet installation point should be pasted with extra 1.5 mm SS sheet (in front side)
7.	Water Tray	SS made with provision of flexible PVC pipe outlet (in front side)
8.	Water storage outlet and inlet facility	Provisions for one outlet and inlet pipe (in back side)

Detail of drawing as follows





Technical Specification for Water purifier (32 piece)

Features	Specification
Water Dispensing	Minimum 100 LPH
Variable dispensing	The machine shall be capable of dispensing dispense flow & continuous flow
Three Stages of purification	a) Sediment filter (for removal of suspended particle or physical impurities, b) Carbon filtration (for removal of chlorine, odours, colours etc) c) UV treatment (for inactivating bacteria & viruses)
Input Power Supply	200-250 Volts, 50Hz, Single Phase AC supply with 5amps, 3pin plug top & proper earth connection
Faucets	Minimum two faucets
Safety Mechanism	Built-in Electronic Monitoring System to ensure complete purification of water before allowing the flow
Purification Process	Minimum three stage Purification Process comprising of sediment filter candle, activated carbon & ultra violet treatment capable of effectively removing all particulate, chlorine, organic impurities, water borne bacterial & viral contamination.
Purpose	Hostel and Office use in NIT campus (commercial category)
Additional Requirements and Condition	
<ol style="list-style-type: none">Desired Make : Product should be of reputed brand/manufacturer (Voltas/Usha/Blue Star/ Kent) or equivalent ISO marked having local authorized service center in Sikkim/Siliguri (WB) operating at least for the last two yearsWARRANTY: The complete water purifier shall be covered under warranty for a period of <u>minimum 3 years</u> from the date of installation.Vendor has to visit NIT campus in three month interval for three years for maintenance of the supplied water purifier. Security deposit money will be released only after successful maintenance of the water purifier for whole period of three years.Arrangement of connection with required water limit valve to 07 pc <u>stainless steel storage tank</u> with seven water purifier out 32 pc water purifier.Payment will be released only after successful installation.	



Technical Bid

Eligibility Criteria:

1. **Tender no, Subject, due date contact details (email ID, mobile no) on each envelop.**
2. Tender received as sealed envelope on or before due date.
3. Separate Eligibility criteria supporting documents, Technical and Financial Bid
4. EMD in form of Demand Draft in favor of Director NIT Sikkim.
5. **The copy of valid (a) Firm registration certificate (b) Trade License (should be valid for financial year 2017-18) (c) GST Registration Certificate; (d) PAN of the Firm (in case of Proprietary firms, PAN of the sole owner); (e) ISI certificates (for material) issued by the Bureau of Indian Standards for water purifier/ stainless steel product certificate; (f) Copy of Membership certificates of recognized organizations / associations of water purifier manufacturers. For documents (a), (b) and (c) **documents must be in water purifier business for water purifier or stainless steel products manufacturer. Documents showing other business will not be accepted and the technical bid will be rejected.****
6. Quotation according to Tender specification.
7. Warranty declaration of minimum THREE (03) years from date of delivery and installation with service for water purifier **as mentioned in technical specification**
8. **Certificate of authorized dealer/supplier/manufacturer for quoted water purifier/ stainless steel product.**
9. Technical Bid must be reported with detailed drawing details with dimension, specification, photos and manufacture catalogue of the required items. **Mere declaration of complying with specification will not be accepted. Specification must be sustained in catalogues.**
10. Clearly mention of differences if specification differ from NIT Sikkim's specification.
11. Winning bidder must furnish a declaration with bid for delivery of the **items within 30 days** from date of confirmation of the Order. If, the bidder fails to deliver the product, Liquidity damage will be levied as per terms stated below.
12. **Declaration with authorized signature regarding willingness of providing of PBG/Performance security and Liquidity damage.**
13. Signature and seal on each tender document pages by authorized person of the bidder.
14. **The vendor should be an authorized and established supplier with track record of 2 years of supply of stainless steel product/ water purifier to central/state Govt. body or autonomous Institutes.**

Other Terms and conditions

1. Any manufacturer, authorized dealer can participate in bid provided the specialization /dealing with water purifier/ stainless steel product for SS water storage tank.
2. **Components must be ISI certified and clearly mentioned supporting documents must be attached.**
3. **Approval of goods:** Financial bid or even order may be cancelled or delivered items may be not be accepted fully or partially at any time if found that item specification differ from NIT Sikkim's mentioned specification and differences / departures not yet informed to NIT Sikkim with Technical Bid. If found differences after payment then PBG value may be forfeited and will not refunded to bidder.
4. If technical specification differ then bidder must inform as separate document to NIT Sikkim with technical bid. This document can not include/merged with technical specification.
5. **Validity:** Bids shall remain valid for 180 days from date of the Tender closing Date.
6. **Counter Conditional tenders strictly not acceptable:** All the terms and conditions mentioned herein must be strictly adhered to by all the vendors. Conditional tenders shall not be accepted on any ground and shall be rejected straightway. Conditions mentioned in the tender bids submitted by vendors will not be binding on NIT SIKKIM. If bidder have any condition, then request not to submit bid.
7. **F.O.R. NIT Sikkim:** The quoted price must include the transportation and installation up to NIT Sikkim Ravangla campus and successful bidders have to supply Freight on Receipt (FOR) basis at NIT Sikkim.
8. **Delivery Period:** Delivery period for all items must be made **within 30 working days** after issuing of Purchase order. Otherwise, Liquidity damage will be levied.



NATIONAL INSTITUTE OF TECHNOLOGY SIKKIM

Ravangla Campus

Barfung Block, Ravangla Sub Division, South Sikkim-737139

9. Applicability of GST as notified by Govt. of India shall apply including financial bid and the vendor must provide valid GST registration certificate/document.
10. Quotations may either be in (a) letter head or (b) as annexure on white page but duly stamped by the authorized signatory along with a forwarding letter on letter head.
11. Only invoices with serial numbers and printed with GSTIN no will be accepted.
12. Payment shall be made only after the delivery and installation of the goods & supplies against the Purchase Order from time to time.
13. Responsibility of ensuring quality and specification lies with the supply firm. The firm must get the sample stainless water storage tank and water purifier approved by the committee and then supply the water purifier and stainless steel water storage tank as applicable.
14. **Clarifications:** For any clarification you may please contact fisa.nitsikkim@gmail.com
15. **Payment condition:** 100% payment after delivery and successfully installation. If PBG is not received from supplier then 10% of PO value shall be deducted from the bill and kept as security deposit.
16. Packing, forwarding and transportation charges should be inclusive in the price. For any damage/loss during the transit, supplier will be solely responsible and damaged ss water storage tank/ water purifier must replace by supplier at their own cost.
17. **Performance Bank Guarantee (PBG):** Non interest bearing @10% of the value of PO to be submitted to NIT Sikkim by the supplier along with delivery of material and invoice within 15 days from delivery as PBG. If failed, equivalent amount will be deducted from PO value and after deduction balanced will be paid to supplier. Validity of PBG will be up to 60 days after expiry of warranty period.
18. **Liquidity damage:** In case of failure in supply and installation within the specified period or parts of material, liquidity damage shall be charge at the rate of 2% per month.
19. If supplier fail to deliver the items on time, NIT Sikkim may cancel full order or part of the order and EMD value may be forfeited. NIT Sikkim may purchase desired items from other bidder as per its decision.
20. **Warranty/Guarantee & On-site skill support:** Three years onsite comprehensive original manufacturer warranty from the date of successful installation and commissioning. The firm has to guarantee (declaration with bid) supply of spares for a minimum of period of 10 years. The Authorized Distributors and Dealers must attach certificate about their after sales and service facilities, escalation support for on-call on-site service or station technician etc.
21. **Service:** Response to ensure quality of services, the deputed technician from the Vendor shall have a minimum of 2 years of experience in the relevant field and must be in the payroll of the Vendor.
22. **Acceptance of Tender:** The Authority of NIT Sikkim does not bind itself to accept the lowest priced bid and reserves the right to reject any or the entire tender bids received without assigning any reason thereof.
23. **Extra Features:** If the bidder provides any other extra features on the material/specification which are not mentioned in the tender product specifications, then that shall be highlighted in clear terms, with documentary evidence/literature.
24. The Institute does not bind itself to offer any explanation to those bidders whose technical bids have not been found acceptable by the Technical Evaluation Committee of the Institute.
25. Signed copy of the tender document, with company seal, agreeing to the terms & conditions and declaration.
26. **Opening of Price Bids:** The Price Bid(s) of only those vendor(s) will be considered who are found technically qualified.
27. Tenderer or his/her authorized representative (with proper authorization letter for attending opening of technical bids and also for opening of price bids) may choose to be present at the time of opening of Technical Bids/Price Bids.
28. The Director of NIT Sikkim may accept or reject any or all the bids in part or in full without assigning any reason and does not bind himself to accept the lowest bid. The Institute at its discretion, may change the quantity/upgrade the criteria/drop any item or part thereof at any time before placing the Purchase Order.
29. A bid submitted with false information will not only be rejected but also the vendor will be debarred from participation in future tendering process of NIT Sikkim.
30. The Vendors need to submit a certificate with the technical bids that they are not currently debarred or blacklisted in NIT Sikkim for any supplies, products or services, or at present in any national organization or educational institute/university.
31. In case of any dispute, the decision of the Director of this Institute shall be final and binding on the bidders.



NATIONAL INSTITUTE OF TECHNOLOGY SIKKIM

Ravangla Campus

Barfung Block, Ravangla Sub Division, South Sikkim-737139

32. In case the due date for opening tender happens to be a holiday, the same will be opened on the next working day. The timings will however remain unchanged.
33. **Credential of supply of similar water purifier/ SS water storage tank or related stainless steel product in last two years to central Govt. / autonomous body must be enclosed. Preferably credential for items supplied to canteen/mess of educational Institute like IITs/NITs/IISERs/ nationally reputed research Institute shall be enclosed. Bids of suppliers without credential may not be considered. Copies of POs/documents supporting suppliers shall be given. Value of single orders in a year must be more than five lakh in each year for water purifier.**
34. The drawing, specification etc. are provided with this tender document. The bidder have to read and understand carefully and in case of any doubt/suggestion have to contact undersigned through email only for clarification. The successful bidder have to resubmit the fair design and drawing and have to get approved from the committee before starting manufacturing.

We look forward to receiving your rate quotations and thank you for your interest.

With approval of the competent authority, issued by

Dean In Charge (Student Affairs)

National Institute of Technology Sikkim

Ravangla, South Sikkim- 737139

Email: fisa.nitsikkim@gmail.com



NATIONAL INSTITUTE OF TECHNOLOGY SIKKIM

Ravangla Campus

Barfung Block, Ravangla Sub Division, South Sikkim-737139

Format for submission of Technical Bid

To be submitted by bidder

Format for Profile of the bidder

Sl No.	Particulars	Please Fill-in	Reference remarks if any	No/
01.	Name of the Firm			
02.	Address			
03.	Name of the contact person: Designation: Address Mobile no.: E-mail ID:			
04.	Month and Year of Establishment of Firm*			
05.	Whether the firm is Proprietary / Partnership Firm / Private Ltd. / Public Ltd. / Others.			
06.	Name(s) and addresses of Proprietor / Partners / Directors			
07.	Number of years of experience in this field*			
08.	Annual Turnover during last three years* (Enclosed audited financial statement or certificate(s) from Chartered Accountant 2016 – 17: 2015 – 16: 2014 – 15: *Turnover must be more than 20 lakh each year			
09.	Registration Number of the Firm*			
10.	PAN number of the firm or Proprietor*			
11.	Trade License (should be valid for financial year 2017-18) for stainless steel product/ water purifier related business			
12.	GST registration no			
13.	Other desired documents as mentioned in pt 7 of technical			

***All fields are mandatory to fill with the copy of duly signed.**

Detail of Demand Draft submitted for EMD and tender fees:

Sl. No.	DD no	Date	Amount	Submitted for	In favour of



Technical Specification in details for Stainless Steel Water storage tank and Water purifier separately (Mere declaration of complying with specification will not be accepted.):

Sl. No.	Name of items	Specification	Qty	Photo and Drawing of the Stainless Steel Water storage tank and Water purifier must provide by bidder
1	Stainless steel Water storage tank (07 pc)	It is mandatory to mention the details of the specification with design. "As per specification "will not be considered.	As desired in tender document	
2	Water purifier (32 pc)	It is mandatory to mention the details of the specification with design. "As per specification "will not be considered.	As desired in tender document	

Signed by

(Name)

Authorised Signatory of M/s (Bidder)

Official Stamp

Date and Place



NATIONAL INSTITUTE OF TECHNOLOGY SIKKIM

Ravangla Campus

Barfung Block, Ravangla Sub Division, South Sikkim-737139

Financial Bid (will be considered for technically qualified bidder)

To be submitted by bidder

Sl. No.	Name of items	Unit Price (₹)	GST (@ %)	Qty	Total Unit Price (₹)	Grand Total F.O.R NIT Sikkim (₹) inclusive all taxes #

Quoted price should be inclusive all charges (taxes, transportation charges). NO extra charges will be paid.

Proforma for Direct Payment/Transfer to Bank Account by NIT Sikkim

To be submitted by bidder

Sl. No.	Particulars	Information
1	Firm (Beneficiary) Name	
2	Please enclose a cancelled cheque and copy of PAN card. Cancelled cheque & PAN card is to be submitted only once	
3	Complete Bank Account No. of the Firm [beneficiary]. [in case of change in bank account vendor should write to Account Office]	
4	Bank Name	
5	Bank Address	
6	IFSC Code no	
7	Mobile no (for SMS)	
8	Email ID (for information)	

We undertake that all information provided above is correct and NIT Sikkim will not be responsible in case of any error on the part of firm.

Note: This Performa shall be enclosed with price bid

[Seal and Signature of the firm]



Undertaking form to be submitted with the technical part

To

The Director

NIT Sikkim

Sub.: Undertaking for *Tender No: 25/NITS/SWA/Water Purifier/17-18/___ date November 27, 2017*

Dear Sir,

This is to undertake that I / We, owner(s) of M/s, of (name of city) have read the above mentioned Tender document and have fully understood the points and their implications. We undertake that if I / We am / were given the contract, I / We will abide by all the terms and conditions of the Tender in letter and spirit.

Signed by

(Name)

Authorized Signatory of M/s (Bidder)

Official Stamp

Date:

Place: